



Installation Instructions for the **SM-100 Soffit Mount Kit**

U.S. Patent No. 6,727,861

Thank you for your purchase of the Dish Mount SM-100 Soffit Mount Kit! This product was designed to provide you with a simple way to mount your satellite dish with a high level of technical accuracy while providing an aesthetically pleasing installation. Please be sure to review these installation instructions thoroughly before you begin your installation.



CONTENTS & HARDWARE ENCLOSED

SM-100 mounting base
Mounting insert

Hardware for the SM-100 mounting base:
(5) #10 x 3" Phillips head screws

Hardware for attaching the mounting insert to dish
base plate:

- (4) 5/16" x 1" hex head bolts
- (8) 5/16" flat washers
- (4) 5/16" lock washers
- (4) 5/16" nuts

Step 1 DISH LOCATION

Before installing the dish, determine the location on the structure where the dish will need to be mounted. Consider obstacles that may interfere with the signal the dish receives, such as tree growth, power lines etc. The Dish Mount SM-100 Soffit Mount Kit enables you to mount the dish virtually anywhere on the structure. The dish can be mounted so that it is receiving a signal from over the roofline.

Do not attempt to mount the Dish Mount SM-100 Soffit Mount Kit on a soffit that has any type of vinyl overlay material. The Dish Mount SM-100 Soffit Mount Kit has been designed to be mounted directly to a wooden soffit only.

Step 2 FINDING THE STUD

Use a stud finder to locate the stud in the soffit that spans from the fascia board back towards the exterior wall. Mark the outside edges of the stud. Next, mark a centerline between the previously marked outside edges of the stud.

TOOLS REQUIRED

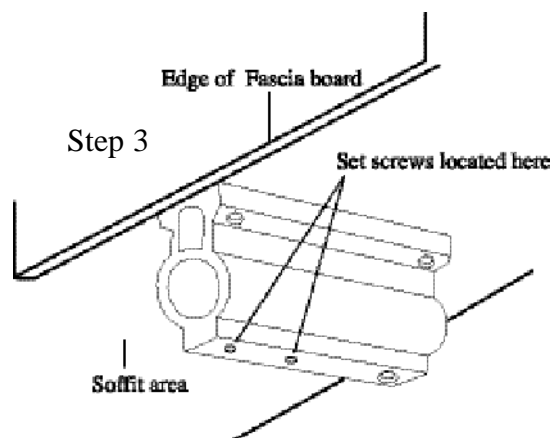
- Stud Finder
- Bubble Level
- Electric Drill with Phillips Screw Tip
- 5/32 Allen Wrench
- Pencil



DANGER: You can be killed or seriously injured if the mast, dish, or any part of your body comes into contact with electric power lines! Verify that there are none nearby before performing the following installation!

Step 3 POSITION

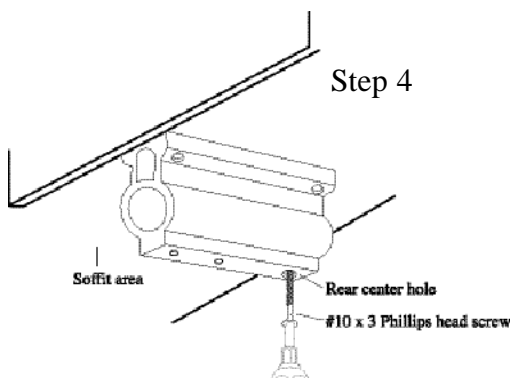
Position the soffit mounting base on the soffit so that the edge where the two set screws are located is touching the bottom edge of the fascia board where it hangs below the soffit. (See illustration)



Dish Mount SM-100 Soffit Mount Kit

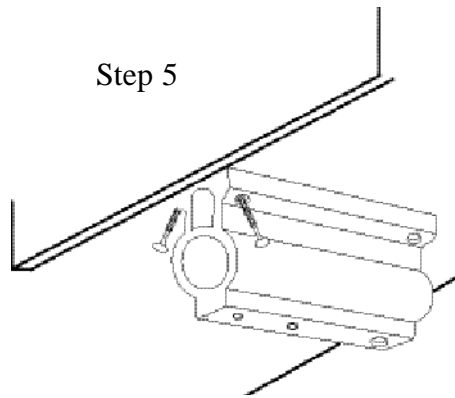
Step 4 MOUNTING THE SOFFIT BASE

Position the rear center hole (opposite end of the set screws) over the center line of the soffit stud. Make sure the front of the soffit mount base is centered over the center line of the soffit stud. Install and tighten the screw in the rear center hole. This rear center screw will hold the soffit mounting base in place during the remainder of the installation. (see illustration)



Step 5 SECURING THE SOFFIT BASE

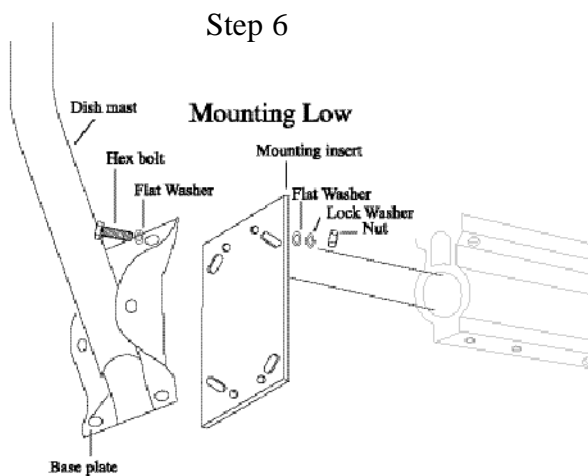
Locate the two side holes in the soffit mounting base closest to the set screws. Using a drill, thread the screws halfway down at an angle. (see illustration)



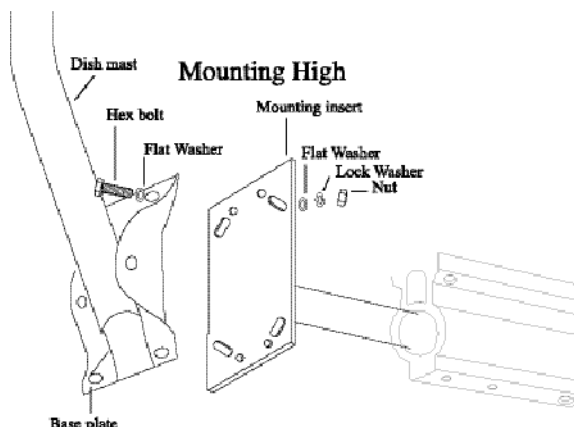
Locate the two side holes in the rear of the soffit mounting base. Using a drill, thread the screws halfway down at an angle. Tighten the first set of screws, then tighten the second set of screws. Once all four screws have been tightened completely, the soffit mounting base has been securely installed.

Step 6 MOUNTING DISH MAST AND BASE PLATE TO MOUNTING INSERT

Determine if the dish needs to be mounted high or low on the mounting insert. Attach the dish mast and base plate to the mounting insert using the supplied hardware. (See illustrations for mounting high or low)

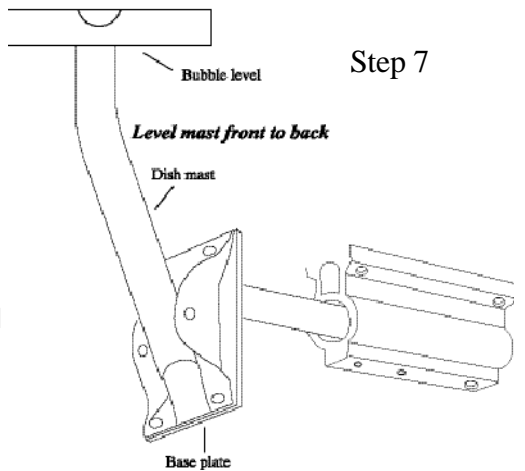
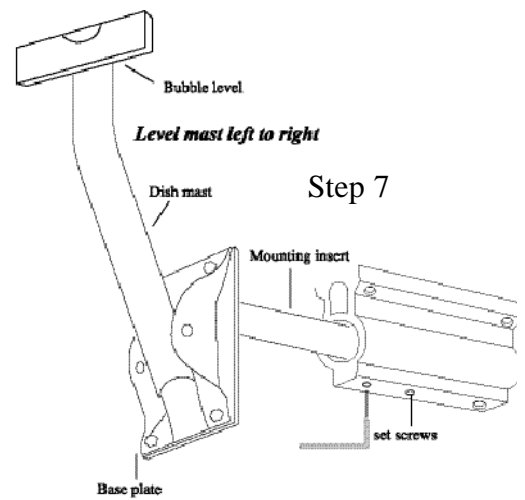


Step 6



Step 7 INSTALLING THE MOUNTING INSERT

Slide the mounting insert with the dish mast and base plate attached into the mounting base until desired depth is achieved. When extending the mounting insert out from the mounting base, **DO NOT** extend the mounting insert out past the **BLACK LINE** marked on the mounting insert tube. This will insure that **BOTH** set screws will be tightened into the mounting insert tube. Level the dish mast left to right and tighten both set screws using a 5/32" Allen wrench. (See Illustration.) Using a standard length 5/32 Allen wrench (approximately 3" long) will allow you to tighten the set screws adequately. The set screw torque range is between 4 and 15 foot pounds.



Level dish mast front to back and tighten hardware connecting dish mast to dish base plate. Place the dish on the mast, and set the azimuth, and elevation.

Disclaimer:

Local building and electrical codes will take precedence to the installation instructions of this product. Proper grounding of the satellite antenna and coaxial cables is also required by local building and electrical codes.

Warranty:

The Dish Mount SM-100 Soffit Mount carries a five year warranty. Dish Mount Products L.L.C. will replace without charge a product that proves to be defective in materials or workmanship. This warranty does not include malfunction caused by accident, misuse, or malfunction caused by incorrect installation. This warranty excludes all incidental or consequential damages.

Warranty Service:

Product must be returned to the original point of purchase.

Technical Support

After reading these installation instructions, if you are still unsure how to properly install this product, please contact us at 337.261.3177, Monday thru Friday, 9:00AM to 5:00PM CST.



P.O. Box 81183

Lafayette, LA 70598

Ph: 337.261.3177 • Fax: 337.261.2689

www.dishmountproducts.com