

**Disclaimer:**

Local building and electrical codes will take precedence to the installation of this product. Local building and electrical codes require proper grounding of the antenna mount and coaxial cables. Improper installations can cause damage to equipment, the building and injury or death to you. Contact a licensed inspector or electrician in your area for assistance.

WATCH OUT for power lines overhead, buried underground and hidden behind walls. Take extreme care to avoid contact with any power lines with ladders, satellite systems parts or tools during the installation to avoid severe injury or death.

**Warranty:**

Dish Mount warrants that for five years from the date of purchase, it will repair or at its option replace without charge a Dish Mount product that proves to be defective in materials or workmanship. Retain invoice for proof of product purchase.

The warranty does not include malfunction caused by accident, misuse, or malfunction caused by incorrect installation. This warranty excludes all incidental or consequential damages. Some states do not allow the exclusion or limitation of consequential damages so the above limitation may not apply to you.

**Warranty Service** – To return products covered under warranty, you must contact your reseller.

**Technical Support**

After reading these installation instructions, if you are still unsure how to properly install this product, please visit our website at [www.satelliteaccessories.net](http://www.satelliteaccessories.net) to view an online installation video or contact us at 337-984-8999.



4510 Ambassador Caffrey Parkway, Suite B, Lafayette, LA 70508  
Ph: 337.984.8999 • Fax: 337.993.1335  
[sales@satelliteaccessories.net](mailto:sales@satelliteaccessories.net) • [www.satelliteaccessories.net](http://www.satelliteaccessories.net)



# Installation Instructions for the WM-200 Wall Mount Kit

Congratulations on your purchase of the Dish Mount WM-200 Wall Mount Kit! The Dish Mount products (SM-100 Soffit Mount Kit and WM-200 Wall Mount Kit) were designed to provide you with a simple way to mount your DSS with a high level of technical accuracy while providing an aesthetically pleasing installation.

Dish Mount is engineered specifically for residential and commercial installations. Please be sure to review these installation instructions thoroughly before you begin your installation.

## CONTENTS AND HARDWARE

WM-200 mounting base  
Mounting insert

Stainless steel hardware for the WM-200 mounting base:

- (4) 5/16" x 2" lag bolts
- (4) 5/16" flat washers
- (4) 5/16" x 1-3/4" lag screw shields
- (4) nylon spacers

Stainless steel hardware for the mounting insert to DSS base:

- (4) 5/16" x 1" hex head bolts
- (8) 5/16" flat washers
- (4) 5/16" lock nuts

## TOOLS

Bubble Level  
Electric Drill  
5/32 Allen Wrench  
13/64 Drill Bit  
1/2" Masonry Drill Bit  
Pencil

Hardware usage will be determined by exterior surface materials you are mounting the Dish Mount WM-200 Wall Mount Kit on, thus resulting in some hardware not being used for certain mounting applications. It may be necessary to use hardware that is included with the manufacturer's DSS as weights and specifications may vary.



**DANGER:** You can be seriously injured or killed if the antenna comes into contact with electric power lines. Verify that there are none nearby before performing the following procedure.

**Dish Mount WM-200 Wall Mount Kit**

**Step 1  
DISH LOCATION**

Before installing the dish, determine the location on the structure where the dish will need to be mounted. Consider obstacles that may interfere with the signal the dish receives, such as tree growth, power lines etc. This Dish Mount WM-200 Wall Mount kit enables you to mount the dish virtually anywhere on the structure. The dish can be mounted so that it is receiving a signal from over the roofline.

**Step 2  
MOUNTING TO A STRUCTURE**

Mounting instructions for the various types of structures are listed below. It is recommended that the required steps for installation of the mounting base is followed to ensure a safe, long-term installation as well as not to damage the original structure.

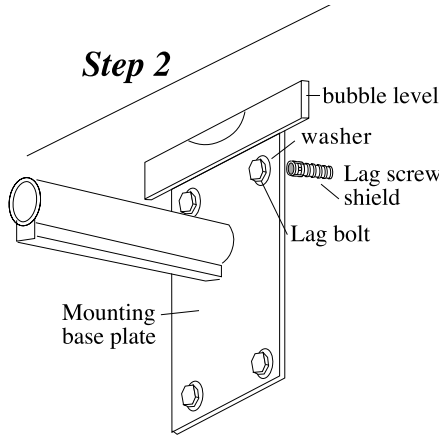
**BRICK  
INSTALLATION**



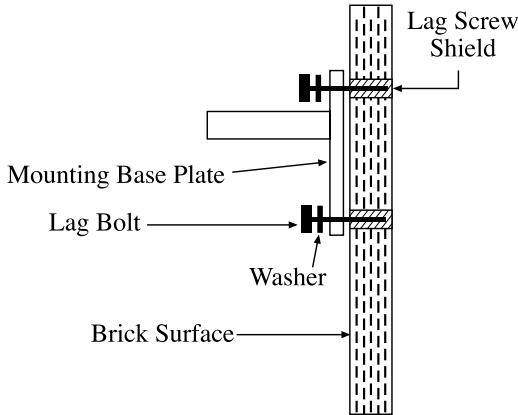
**DIRECPC  
DISH  
WARNING:**

DO NOT use the lag bolts and lag screw shields included with the WM-200 wall mount kit when

mounting a DirecPC Dish to this product. You MUST use the masonry anchors included with the DirecPC Dish. This is due to the heavier weight of the DirecPC Dish. Refer to DirecPC Dish installation instructions for required hole size and depth when drilling. The lag screw shields included with the WM-200 Wall Mount Kit are to be used when mounting a 18" round or 24" elliptical dish to this product.



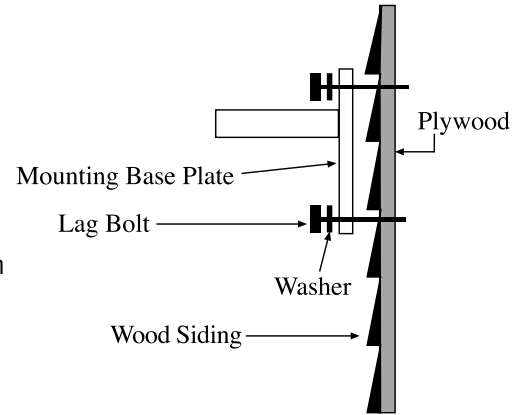
1. Position the mounting base on the wall where it will be installed. Level the top of the mounting base plate and mark the four holes.
2. Using a 1/2" masonry drill bit, drill the four marked holes 2" deep.



3. Insert the included lag screw shields into the 1/2" drilled holes and tap in until they are flush with the surface.
4. Using the included hardware, apply a flat washer over each lag screw. Position the base mounting plate holes over the lag screw shields. Thread lag bolts into lag screw shields.
5. Make sure top of mounting base plate is level.
6. Tightening all four lag bolts.
7. Go to step 3 to continue the installation of the WM-200 Wall Mount Kit.

**WOOD SIDING INSTALLATION:**

1. Position the mounting base holes on the wood siding so that the holes are located on the thinnest part of the wood siding. (See illustration).
2. Level the top of the mounting base plate and mark the four holes.
3. Using a 13/64" drill bit, drill a pilot hole on each hole marked. Be sure to drill pilot hole through wood siding and plywood located behind wood siding. Do Not drill beyond plywood backing.
4. Using the included hardware, apply a flat washer over each lag screw. Position the base mounting plate holes over the pilot holes. Thread lag bolts into wood siding and plywood.
5. Make sure top of mounting base plate is level
6. Tightening all four lag bolts.
7. Go to step 3 to continue the installation of the WM-200 Wall Mount Kit.

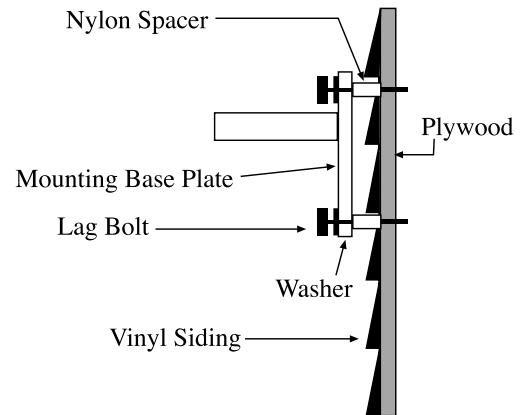


**VINYL SIDING INSTALLATION**



**WARNING:** Do not mount the mounting base plate directly on the vinyl siding. Use of the included nylon spacers will be required for this installation.

1. Position the mounting base holes on the vinyl siding so that the holes are located on the thinnest part of the vinyl siding. (See illustration).
2. Level the top of the mounting base plate and mark the four holes.
3. Using a 11/32" drill bit, drill a pilot hole on each hole marked. Be sure to drill pilot hole through vinyl siding and plywood located behind vinyl siding. Do Not drill beyond plywood backing.
4. Using the included hardware, apply a flat washer over each lag screw. Place Lag screw with washer thru holes in mounting base plate. Place nylon spacer between the mounting base plate and vinyl siding with lag bolt thru the center hole of the nylon spacer. Thread lag bolts into vinyl siding and plywood.
5. Make sure top of mounting base plate is level
6. Tightening all four lag bolts.
7. Go to step 3 to continue the installation of the WM-200 Wall Mount Kit.

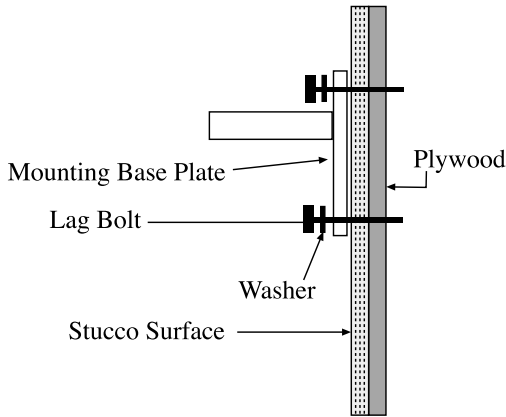


## STUCCO INSTALLATION:



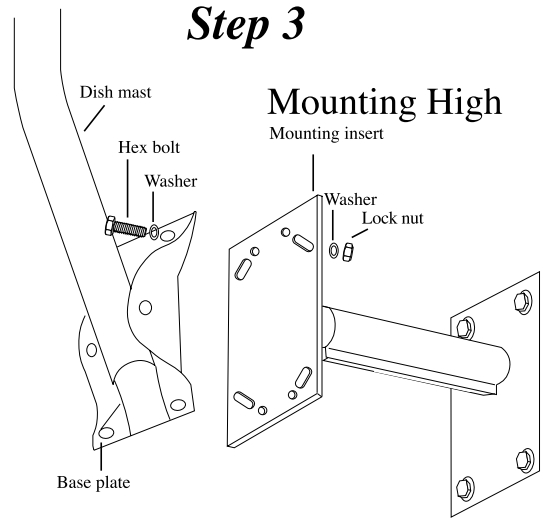
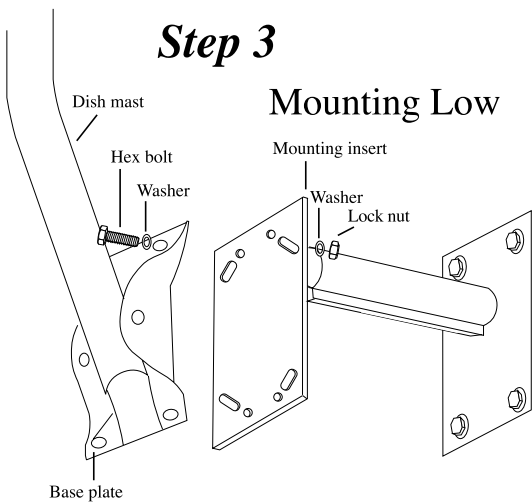
**WARNING:** The structure MUST have plywood behind stucco surface to install the WM-200 wall mount kit. If there is no plywood behind the stucco surface, the SM-100 soffit mount kit must be used to complete the dish installation on this structure.

1. Position the mounting base on the wall where it will be installed. Level the top of the mounting base plate and mark the four holes.
2. Using a 5/16" masonry drill bit, drill the four marked holes through the STUCCO ONLY.
3. Using a 13/64" drill bit, drill a pilot hole through the plywood located behind the stucco surface. Do Not drill beyond plywood backing.
4. Using the included hardware, apply a flat washer over each lag screw. Position the base mounting plate holes over the pilot holes. Thread lag bolts into plywood located behind the stucco surface.
5. Make sure top of mounting base plate is level
6. Tightening all four lag bolts.
7. Go to step 3 to continue the installation of the WM-200 Wall Mount Kit.



### Step 3 ATTACHING THE DISH TO THE MOUNTING INSERT

Determine if the DSS location needs to be mounted high or low on the mounting insert. Attach the dish mast and base plate to the mounting insert using the supplied stainless steel hardware in the Dish Mount Kit. (see illustrations for mounting high or low)



### Step 4 INSTALLING THE DISH TO THE MOUNT

Slide the mounting insert with dish mast and base plate attached into the mounting base until desired depth is achieved. Level the dish mast left to right and tighten both set screws using a 5/32 Allen wrench (see illustration)

Level dish mast front to back and tighten hardware connecting dish mast to dish base plate.

Place the dish on the mast, and set the azimuth, and elevation.

